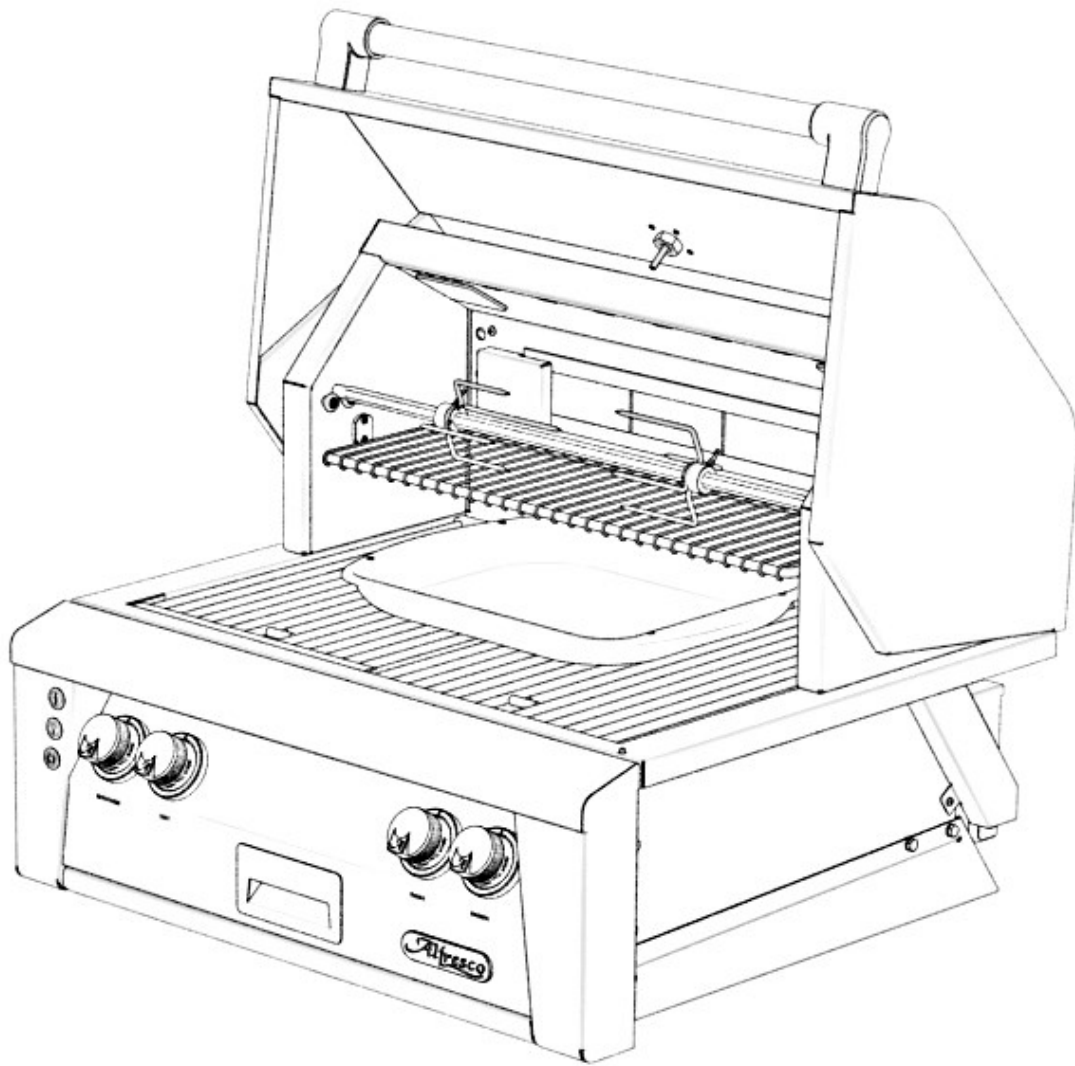
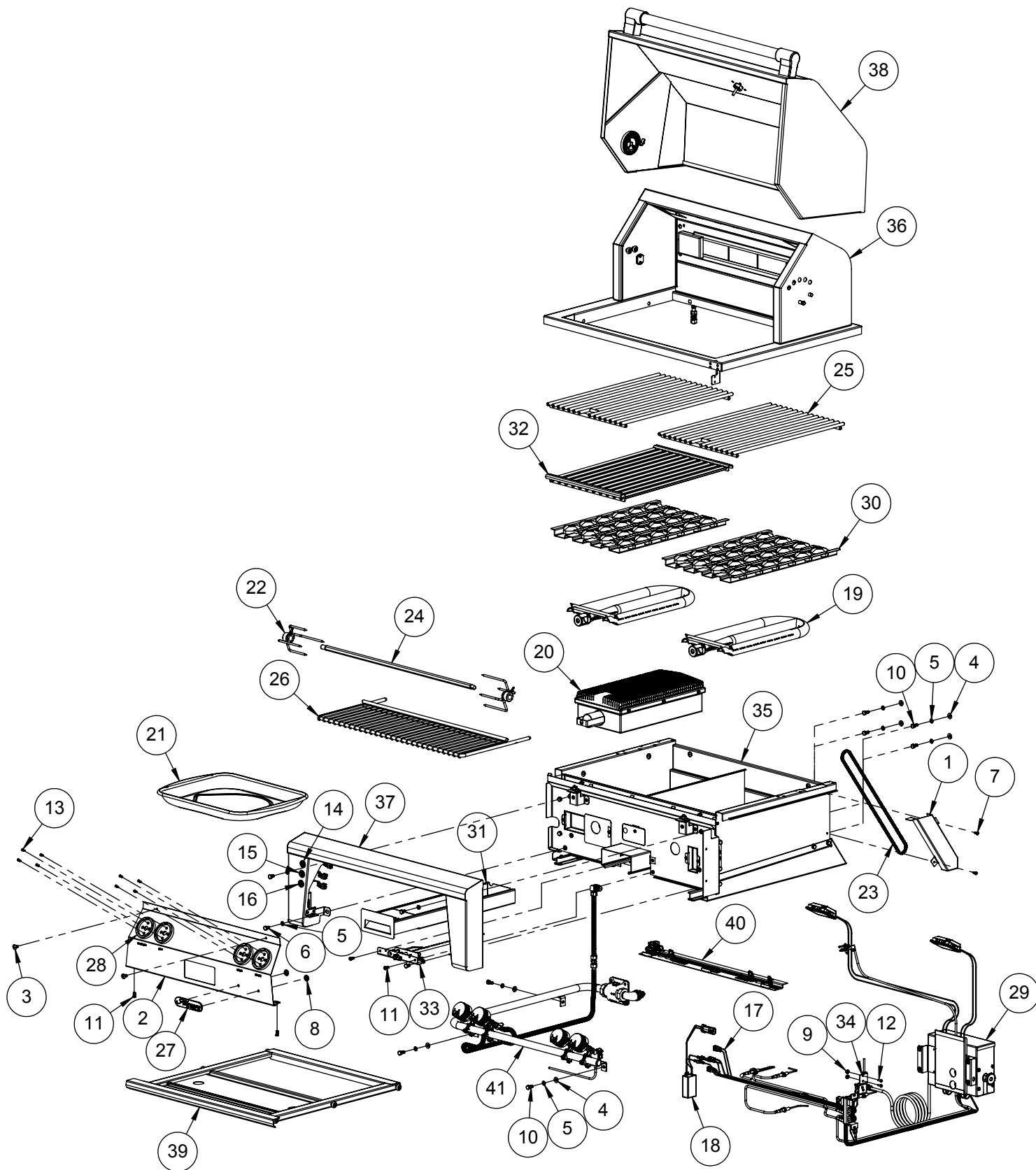


# Alfresco™

Open Air Culinary Systems



## ***ALXE-30 & 30SZ Parts Manual***



NOTE:

SEARZONE™ BURNER (20) AND GRILL (32) USED ON ALXE-30SZ

OTHERWISE, ONLY BURNER (19), GRILL (25) AND BRIQUETTE (30) USED ON ALXE30

| ITEM | PART NUMBER | DESCRIPTION   | QTY |
|------|-------------|---|-----|
| 1    | 100-1877    | ALX2 - ROTISSERIE CHAIN COVER   | 1   |
| 2    | 130-3068    | FRONT PANEL   | 1   |
| 3    | 200-0057    | SCREW 1/4-20 X 1/2 - TRUSS HEAD - PHILPS                                      | 10  |
| 4    | 200-0074    | FLAT WASHER 1/4 TYPE A NARROW   | 7   |
| 5    | 200-0087    | WASHER - 1/4" SPRING LOCK- REGULAR - SS                                       | 15  |
| 6    | 200-0089    | BOLT - HEX HEAD 1/4-20 x 1/2" L   | 8   |
| 7    | 200-0111    | SCREW 8-18 X 1/2 - SELF TAP - 410 SS  | 6   |
| 8    | 200-0125    | NUT THREAD CUTTER FOR 1/4" Ø STUD -SPEED NUT                                  | 2   |
| 9    | 200-0206    | 8-32 KEP NUT 18-8 STAINLESS   | 2   |
| 10   | 200-0219    | HEX HD MACHINE SCREW 1/4-20 UNC X 5/8 LONG SS                                 | 7   |
| 11   | 200-0267    | 10-32 X 1/2 - PAN HEAD - PHILIPS SCREW  | 4   |
| 12   | 200-0270    | 8-32 PAN HD X 1/2 PHILIPS 18-8 SS   | 2   |
| 13   | 200-0348    | Screw 6-32 x 3/8 Flat Head (82°) phillips - Thread Cutter - #2 Drive - SS 410 | 8   |
| 14   | 210-0583    | SWITCH - IGNITION - MOMENTARY [ON]/OFF  | 1   |
| 15   | 210-0584    | SWITCH - LIGHT - LATCHING [ON/OFF]  | 1   |
| 16   | 210-0585    | SWITCH - ROTISSERIE - LATCHING [ON/OFF]                                       | 1   |
| 17   | 210-0598    | ALXE-30 WIRING HARNESS  | 1   |
| 18   | 210-0623    | TRANSFORMER ASSY FOR ALXE   | 1   |
| 19   | 290-0038    | BURNER - GRILL - "U" SHAPE  | 2   |
| 20   | 290-0052    | ALFRESCO SEAR ZONE™ BURNER ASSEMBLY   | 1   |
| 21   | 290-0059    | ROTISSERIE DRIP PAN   | 1   |
| 22   | 290-0096    | FORK ASSEMBLY   | 2   |
| 23   | 290-0116    | CHAIN - ANSI # 25 - 1/4" PITCH - .13" Ø X 1/8" ROLLER                         | 1   |
| 24   | 290-0123    | SPEAR - ROTISSERIE - 30" - 2006 BBQ   | 1   |
| 25   | 290-0124    | GRILL 30" BBQ - 12 3/4" WIDE - SS   | 2   |
| 26   | 290-0315    | ALX2-30 WARMING RACK - SS   | 1   |
| 27   | 290-0377    | ALFRESCO RANGE LOGO   | 1   |
| 28   | 290-0388    | ALFRESCO RANGE KNOB - BEZEL RING  | 4   |
| 29   | 510-0494    | ALX2-30 / 30SZ - ELECTRICAL COMPONENTS  | 1   |
| 30   | 510-0522    | ALX2 - BRIQUETTE TRAY ASSEMBLY  | 2   |
| 31   | 510-0912    | ALXE SMOKER BOX   | 1   |
| 32   | 510-0913    | SEARZONE™ GRILL ASSEMBLY  | 1   |
| 33   | 510-0918    | ALXE SMOKER ASSEMBLY  | 1   |
| 34   | 510-0930    | ALXE HOOD SWITCH ASSEMBLY   | 1   |
| 35   | 510-0942    | ALXE-30 FIREBOX MAIN ASSEMBLY   | 1   |
| 36   | 510-0957    | REAR HOOD & RIM ASSEMBLY  | 1   |
| 37   | 510-0963    | FRONT PANEL PERIMETER   | 1   |
| 38   | 510-0964    | FRONT HOOD ASSEMBLY   | 1   |
| 39   | 510-0967    | DRIP TRAY ASSEMBLY  | 1   |
| 40   | 510-0998    | ALXE-30 LED LIGHT FIXTURE   | 1   |
| 41   | 510-1005    | ALXE-30 / 30SZ - GAS MANIFOLD ASSEMBLY  | 1   |

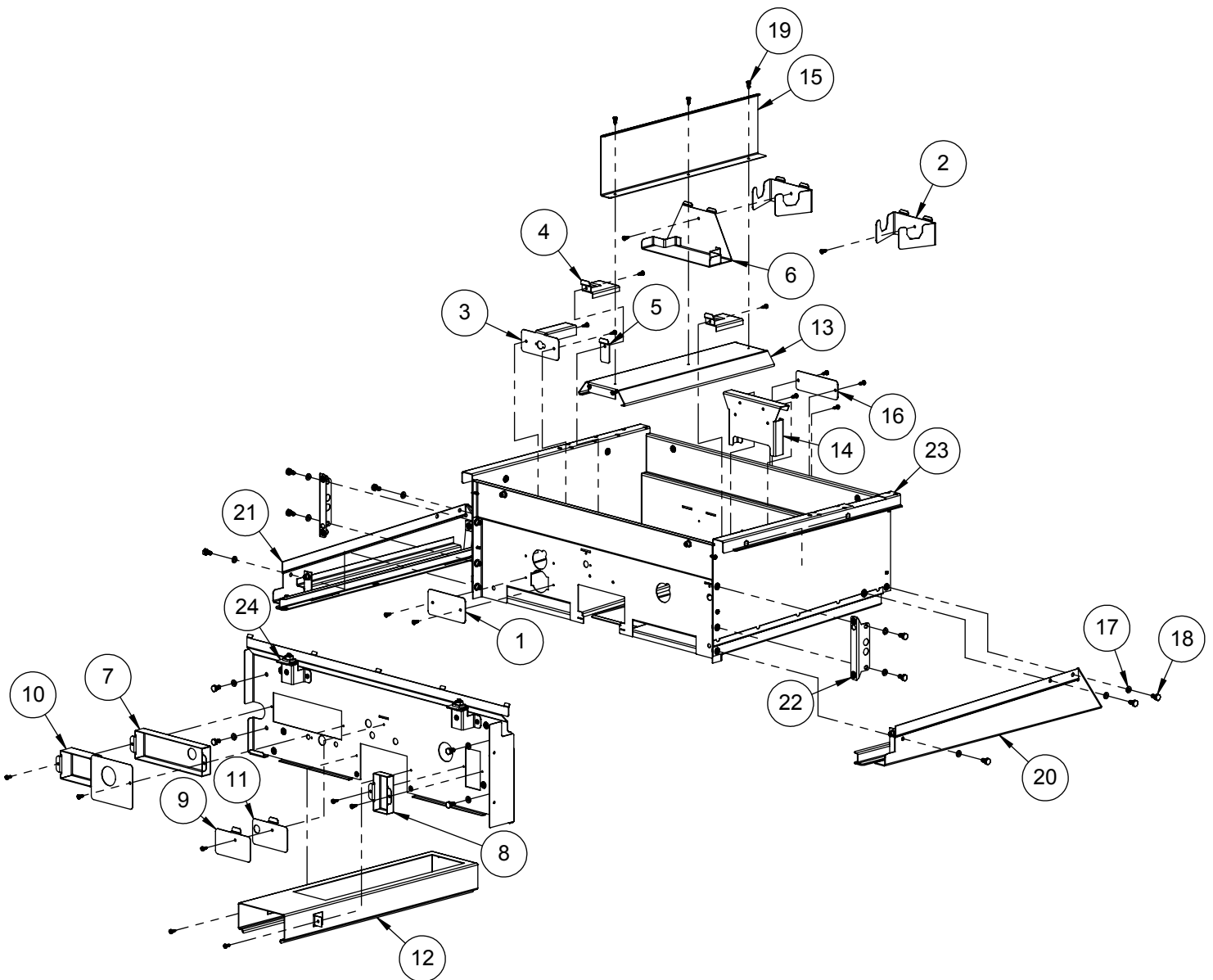
NOTE:  
 UNIQUE PARTS USED ON ALXE-30 MODEL

- (1) (4) (10) (11)

UNIQUE PARTS USED ON ALXE-30SZ MODEL

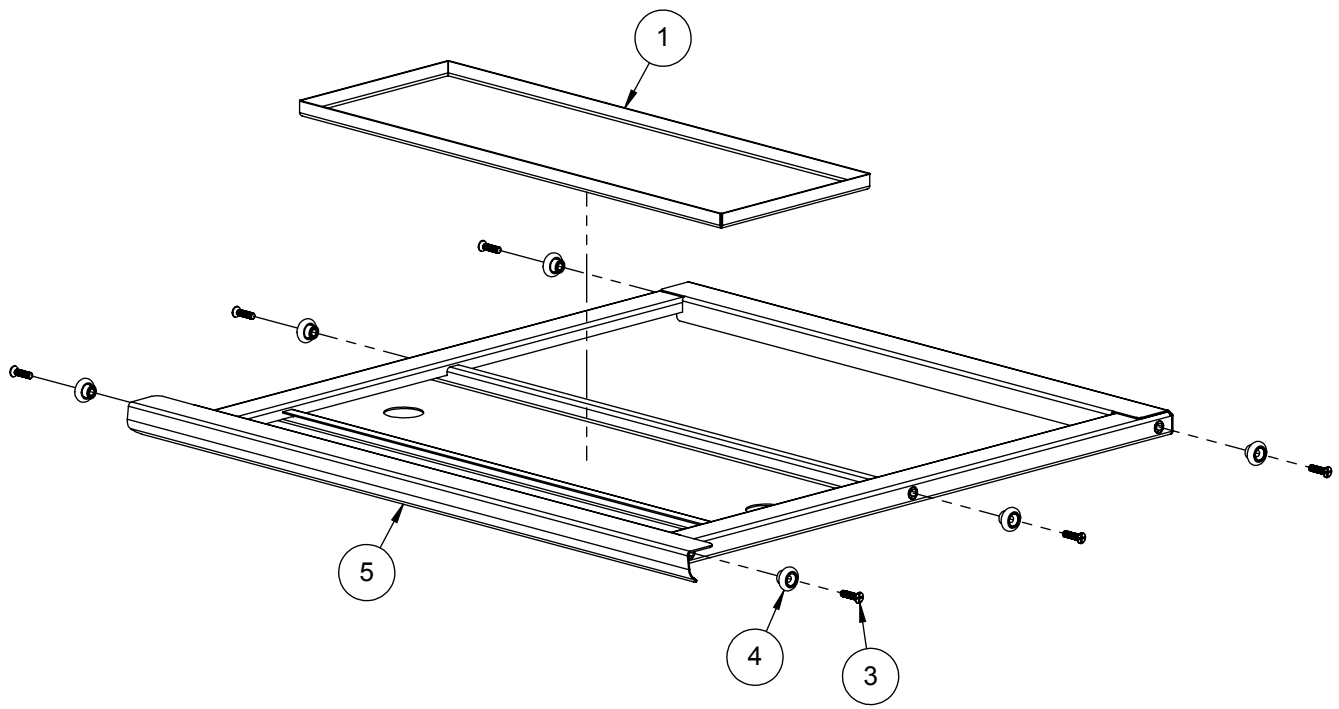
- (3) (5) (6) (7) (9) (15)

ITEM (2) IS USED FOR "U" BURNERS ONLY  
 THEREFORE, ALXE-30SZ ONLY HAS ONE.

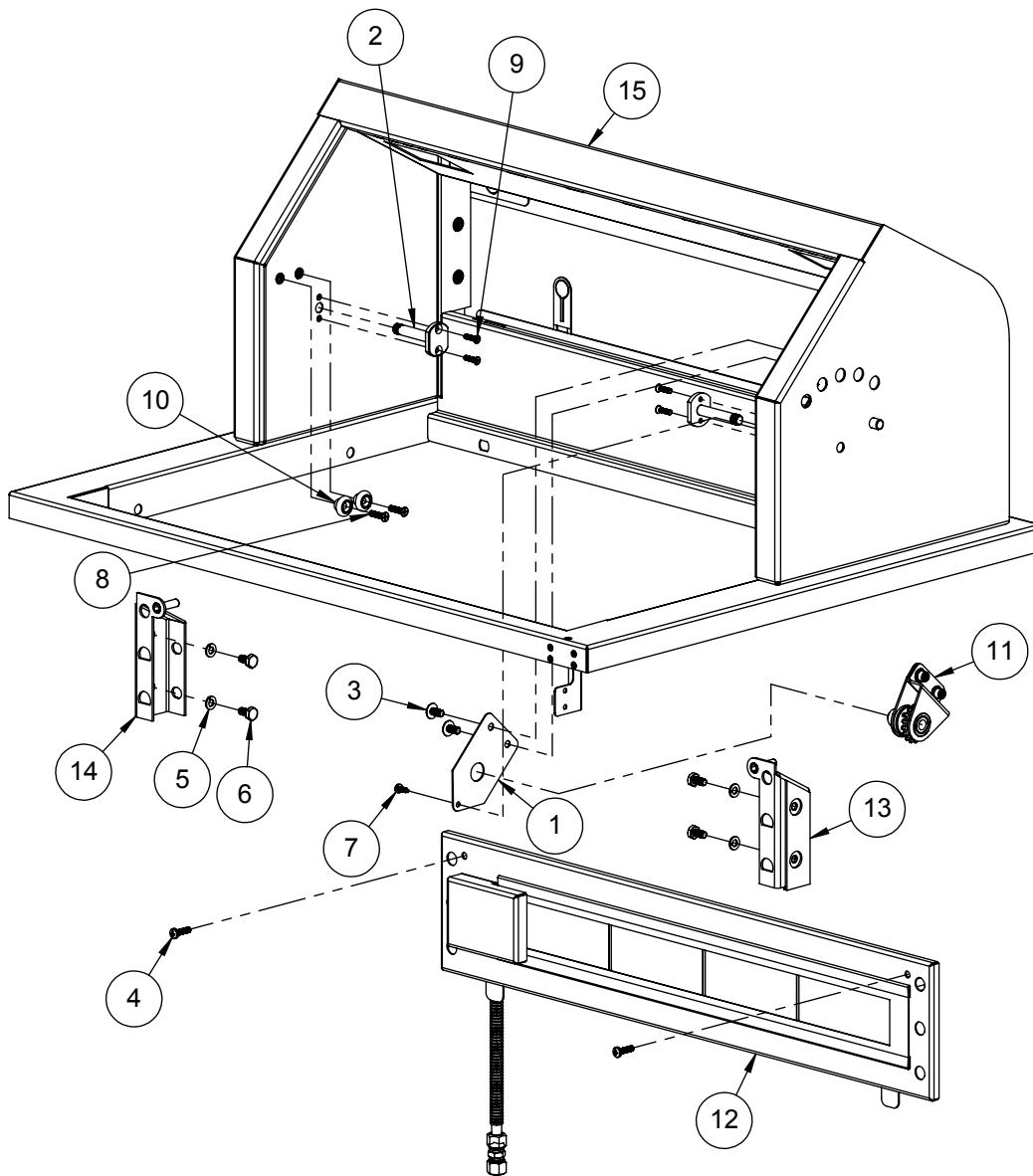


| ITEM | PART NUMBER | DESCRIPTION                                   | QTY |
|------|-------------|---|-----|
| 1    | 100-1065    | SEARZONE™ OPENING FIREBOX COVER               | 1   |
| 2    | 100-1846    | ALX2 - U-BURNER BRACKET                       | 2   |
| 3    | 100-1847    | ALX2 - SEAR-ZONE IGNITER BRACKET / SHIELD     | 1   |
| 4    | 100-1848    | ALX2 - IGNITER SHIELD                         | 2   |
| 5    | 100-1849    | ALX2 - IGNITER HOLE COVER                     | 1   |
| 6    | 100-1884    | ALX2 - SEAR-ZONE™ BURNER BRACKET              | 1   |
| 7    | 100-1887    | ALX2 - DUAL VALVE FIREWALL COVE               | 1   |
| 8    | 100-1888    | ALX2 - SINGLE VALVE FIREWALL COVE             | 1   |
| 9    | 100-1890    | ALX2 - FIREWALL OPENING COVER FOR SEARZONE™   | 1   |
| 10   | 100-1945    | ALX2 - DUAL VALVE FIREWALL COVER FOR U-BURNER | 1   |
| 11   | 100-1946    | ALX2 - FIREWALL OPENING COVER FOR U-BURNER    | 1   |
| 12   | 130-3039    | ALXE SMOKER BOX BODY                          | 1   |
| 13   | 130-3040    | ALXE SMOKER BOX TOP DIFFUSER                  | 1   |
| 14   | 130-3041    | FLUE  | 1   |
| 15   | 130-3042    | ALX4 SEAR ZONE BURNER SHIELD                  | 1   |
| 16   | 130-3047    | REAR COVER PLATE                              | 1   |
| 17   | 200-0087    | WASHER - 1/4" SPRING LOCK- REGULAR - SS       | 13  |
| 18   | 200-0089    | BOLT - HEX HEAD 1/4-20 x 1/2" L               | 13  |
| 19   | 200-0111    | SCREW 8-18 X ½ - SELF TAP - 410 SS            | 28  |
| 20   | 510-0502    | ALX2 - GREASE TRAY SUPPORT - RIGHT SIDE       | 1   |
| 21   | 510-0503    | ALX2 - GREASE TRAY SUPPORT - LEFT SIDE        | 1   |
| 22   | 510-0520    | ALX2 - FIREWALL SUPPORT BRACKET ASSEMBLY      | 2   |
| 23   | 510-0943    | ALXE-30 / 30SZ FIREBOX WELDED PARTS           | 1   |
| 24   | 510-1006    | FIREWALL ASSEMBLY                             | 1   |

| ITEM | PART NUMBER | DESCRIPTION   | QTY |
|------|-------------|---|-----|
| 1    | 130-3093    | DRIP TRAY INSERT  | 1   |
| 2    | 200-0109    | RIVNUT, HEX THREADED INSERT # 10 - 32 THREAD CLOSED END | 6   |
| 3    | 200-0148    | SCREW 10-32 X 3/4" - FLAT HEAD - PHILIPS - 82° - SS     | 6   |
| 4    | 290-0119    | ROLLER WHEEL - STAINLESS STL - 3/4" Ø -                 | 6   |
| 5    | 510-0966    | ALXE-30 DRIP TRAY                                       | 1   |

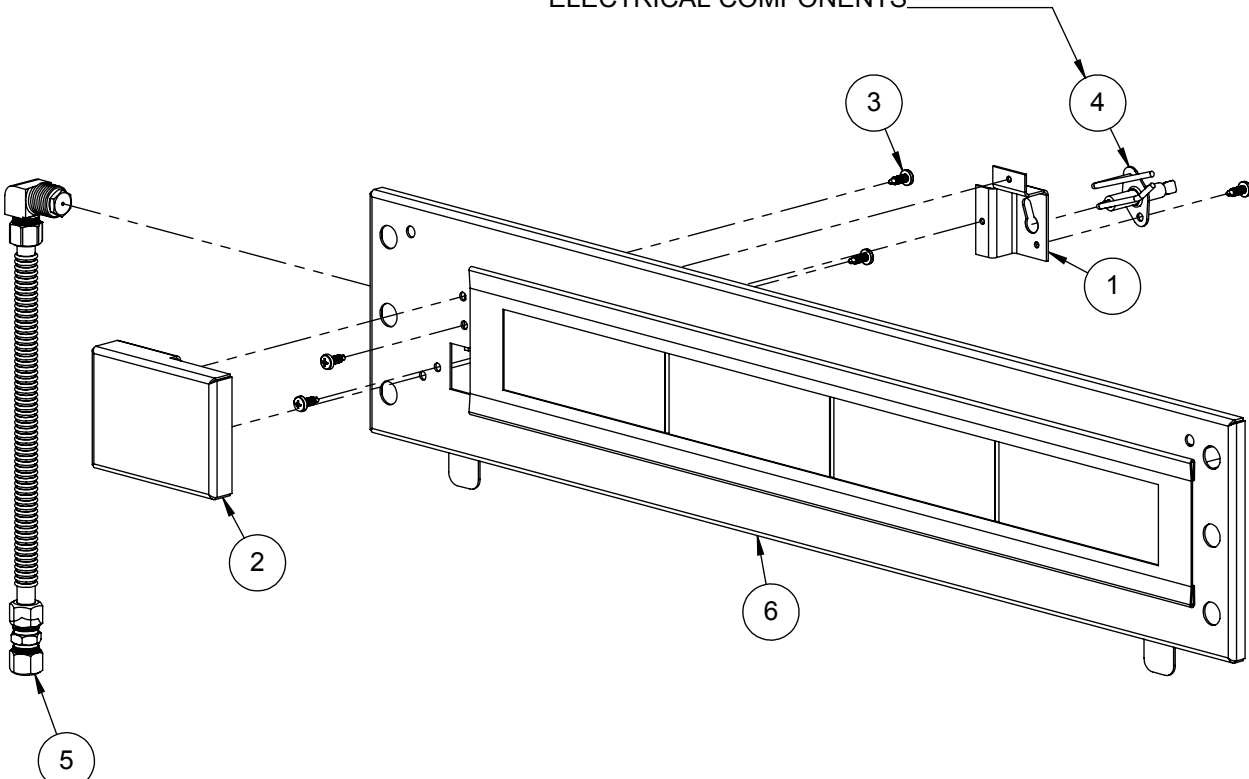


| ITEM | PART NUMBER | DESCRIPTION   | QTY |
|------|-------------|---|-----|
| 1    | 100-1092    | ALX2 - ROTISSERIE GEAR COVER                        | 1   |
| 2    | 130-2985    | PIVOT PIN   | 2   |
| 3    | 200-0057    | SCREW 1/4-20 X 1/2 - TRUSS HEAD - PHILIPS           | 2   |
| 4    | 200-0062    | 10-32 X 3/4 - PAN HEAD - PHILIPS SCREW              | 2   |
| 5    | 200-0087    | WASHER - 1/4" SPRING LOCK- REGULAR - SS             | 4   |
| 6    | 200-0089    | BOLT - HEX HEAD 1/4-20 x 1/2" L                     | 4   |
| 7    | 200-0111    | SCREW 8-18 X 1/2 - SELF TAP - 410 SS                | 1   |
| 8    | 200-0148    | SCREW 10-32 X 3/4" - FLAT HEAD - PHILIPS - 82° - SS | 2   |
| 9    | 200-0361    | SCREW 8-32 X 5/8" - FLAT HEAD 82° - PHILIPS         | 4   |
| 10   | 290-0119    | ROLLER WHEEL - STAINLESS STL - 3/4" Ø -             | 2   |
| 11   | 510-0139    | ALX2 - ROTISSERIE GEAR ASSEMBLY                     | 1   |
| 12   | 510-0478    | ALX2-30 / 30SZ - ROTISSERIE PANEL ASSY              | 1   |
| 13   | 510-0483    | ALX2-30 / 30SZ- WARMING RACK BRACKET - RT SIDE      | 1   |
| 14   | 510-0484    | ALX2-30 / 30SZ - WARMING RACK BRACKET-LT SIDE       | 1   |
| 15   | 510-0958    | REAR HOOD & RIM WELDED PARTS                        | 1   |



| ITEM | PART NUMBER | DESCRIPTION                                       | QTY |
|------|-------------|---|-----|
| 1    | 100-1986    | ALX2-30 / 30SZ - ROTISSERIE BURNER IGNITER BRAKET | 1   |
| 2    | 100-1987    | ALX2-30 / 30SZ - ROTISSERIE BURNER IGNITER COVER  | 1   |
| 3    | 200-0111    | SCREW 8-18 X 1/2 - SELF TAP - 410 SS              | 5   |
| 4    | 210-0240    | ELECTRODE - DUAL TIP "L" SHAPE- ROTISSERIE        | 1   |
| 5    | 510-0469    | ALX2 - ROTISSERIE PIPING SUBASSEMBLY              | 1   |
| 6    | 510-0482    | ALX2-30 / 30SZ - ROTISSERIE PANEL - WELDED PARTS  | 1   |

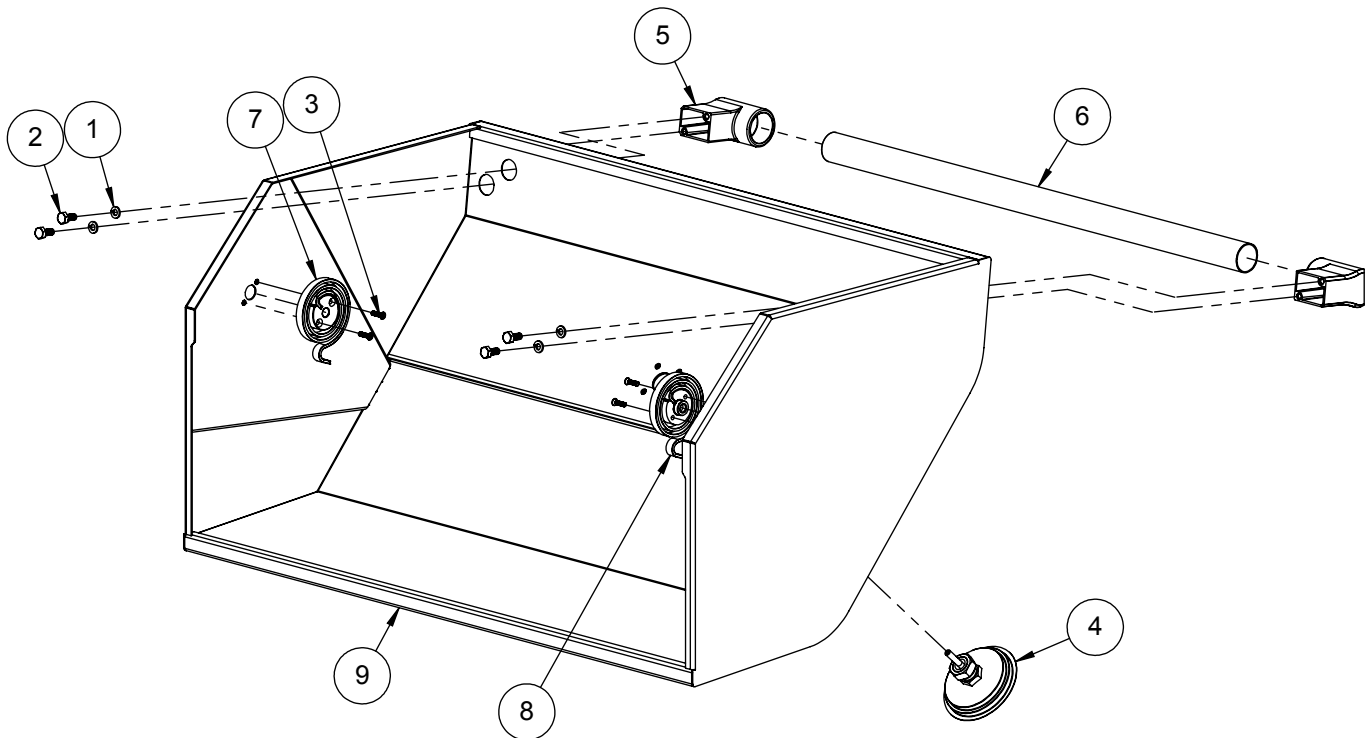
ELECTRODE SHOWN FOR ASSEMBLY PURPOSES ONLY  
REFER TO ASSEMBLY DRAWING 510-0494M FOR ALL  
ELECTRICAL COMPONENTS



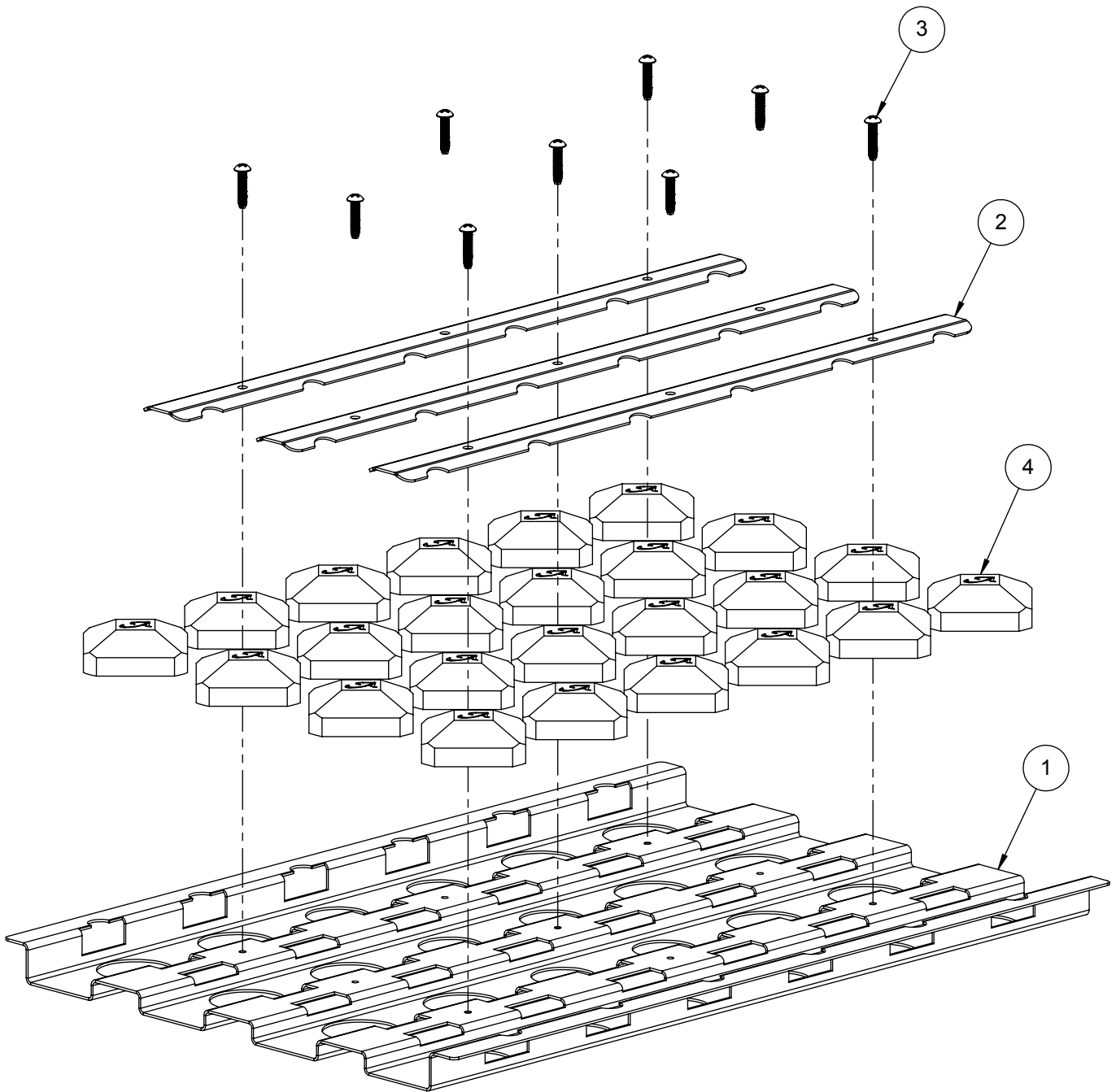
THESE PARTS ARE SHOWN FOR ASSEMBLY PURPOSES ONLY  
REFER TO ASSEMBLY DRAWING 510-1005M FOR COMPLETE  
PARTS BREAKDOWN AND ORIFICE INFORMATION



| ITEM | PART NUMBER | DESCRIPTION                                   | QTY |
|------|-------------|---|-----|
| 1    | 200-0087    | WASHER - 1/4" SPRING LOCK- REGULAR - SS       | 4   |
| 2    | 200-0219    | HEX HD MACHINE SCREW 1/4-20 UNC X 5/8 LONG SS | 4   |
| 3    | 200-0361    | SCREW 8-32 X 5/8" - FLAT HEAD 82° - PHILIPS   | 4   |
| 4    | 210-0571    | ALFRESCO 3-1/8 DIA ALXE THERMOMETER           | 1   |
| 5    | 290-0400    | ALFRESCO BBQ / RANGE HANDLE END CAP           | 2   |
| 6    | 290-0442    | ALXE-30 barbecue hood handle                  | 1   |
| 7    | 510-0924    | SPIRAL TORSION SPRING LT                      | 1   |
| 8    | 510-0925    | SPIRAL TORSION SPRING RT                      | 1   |
| 9    | 510-0965    | FRONT HOOD (WELDED PARTS)                     | 1   |



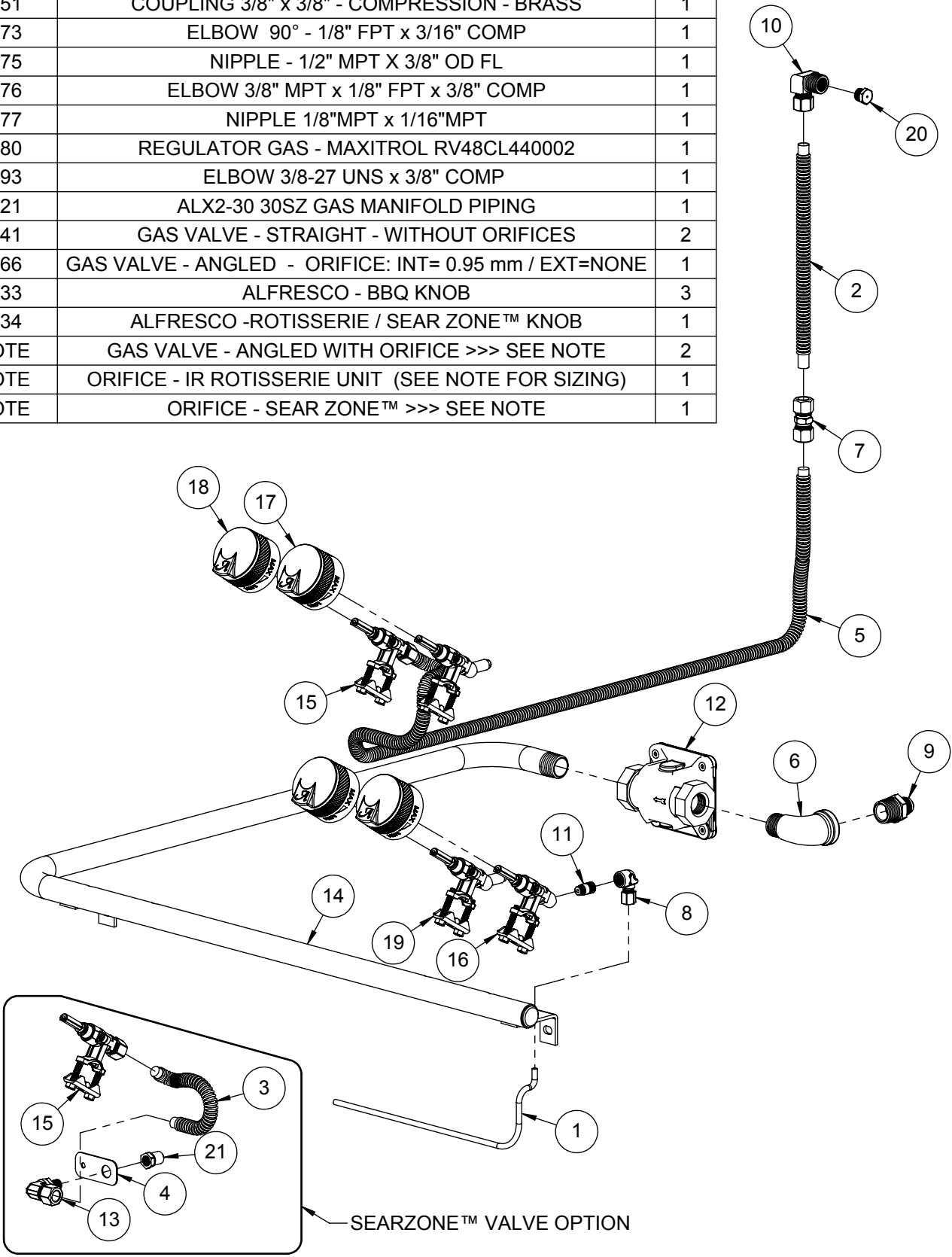
| ITEM | PART NO. | DESCRIPTION  | QTY |
|------|----------|--|-----|
| 1    | 100-1894 | ALX2 - BRIQUETTE TRAY BASE                                   | 1   |
| 2    | 100-1895 | ALX2 - BRIQUETTE LOCK BAR                                    | 3   |
| 3    | 200-0312 | SCREW 8-32 x 3/4"- PAN HEAD - PHILIPS - THREAD CUTTER TYPE F | 9   |
| 4    | 265-0005 | BRIQUETTE - ALFRESCO CUSTOM                                  | 24  |



| ITEM | PART NUMBER | DESCRIPTION   | QTY |
|------|-------------|---|-----|
| 1    | 100-0913    | 30" & 56" BFG BBQ SMOKER GAS LINE                     | 1   |
| 2    | 100-0917    | ROTISSERIE GAS LINE EXTENSION - 3/8"Ø X 8" - SS       | 1   |
| 3    | 100-0917    | SEAR ZONE™ GAS LINE (8"L x 3/8" Ø - SS. FLEX TUBE)    | 1   |
| 4    | 100-1067    | ALX2- SMOKER & SZ™ ORIFICE BRACKET                    | 1   |
| 5    | 100-1949    | ROTISSERIE GAS LINE (36"L x 3/8" Ø - SS. FLEX TUBE)   | 1   |
| 6    | 200-0274    | ELBOW 90°- CAST IRON - 1/2" FPT x 1/2" MPT            | 1   |
| 7    | 220-0151    | COUPLING 3/8" x 3/8" - COMPRESSION - BRASS            | 1   |
| 8    | 220-0273    | ELBOW 90° - 1/8" FPT x 3/16" COMP                     | 1   |
| 9    | 220-0275    | NIPPLE - 1/2" MPT X 3/8" OD FL                        | 1   |
| 10   | 220-0276    | ELBOW 3/8" MPT x 1/8" FPT x 3/8" COMP                 | 1   |
| 11   | 220-0277    | NIPPLE 1/8"MPT x 1/16"MPT                             | 1   |
| 12   | 220-0280    | REGULATOR GAS - MAXITROL RV48CL440002                 | 1   |
| 13   | 220-0293    | ELBOW 3/8-27 UNS x 3/8" COMP                          | 1   |
| 14   | 220-0321    | ALX2-30 30SZ GAS MANIFOLD PIPING                      | 1   |
| 15   | 290-0041    | GAS VALVE - STRAIGHT - WITHOUT ORIFICES               | 2   |
| 16   | 290-0066    | GAS VALVE - ANGLED - ORIFICE: INT= 0.95 mm / EXT=NONE | 1   |
| 17   | 290-0433    | ALFRESCO - BBQ KNOB                                   | 3   |
| 18   | 290-0434    | ALFRESCO -ROTISSERIE / SEAR ZONE™ KNOB                | 1   |
| 19   | SEE NOTE    | GAS VALVE - ANGLED WITH ORIFICE >>> SEE NOTE          | 2   |
| 20   | SEE NOTE    | ORIFICE - IR ROTISSERIE UNIT (SEE NOTE FOR SIZING)    | 1   |
| 21   | SEE NOTE    | ORIFICE - SEAR ZONE™ >>> SEE NOTE                     | 1   |

**NOTE:** ORIFICE OR VALVE ASSEMBLY TO CHANGE ACCORDING TO FUEL SUPPLY: NATURAL GAS OR LIQUID PROPANE

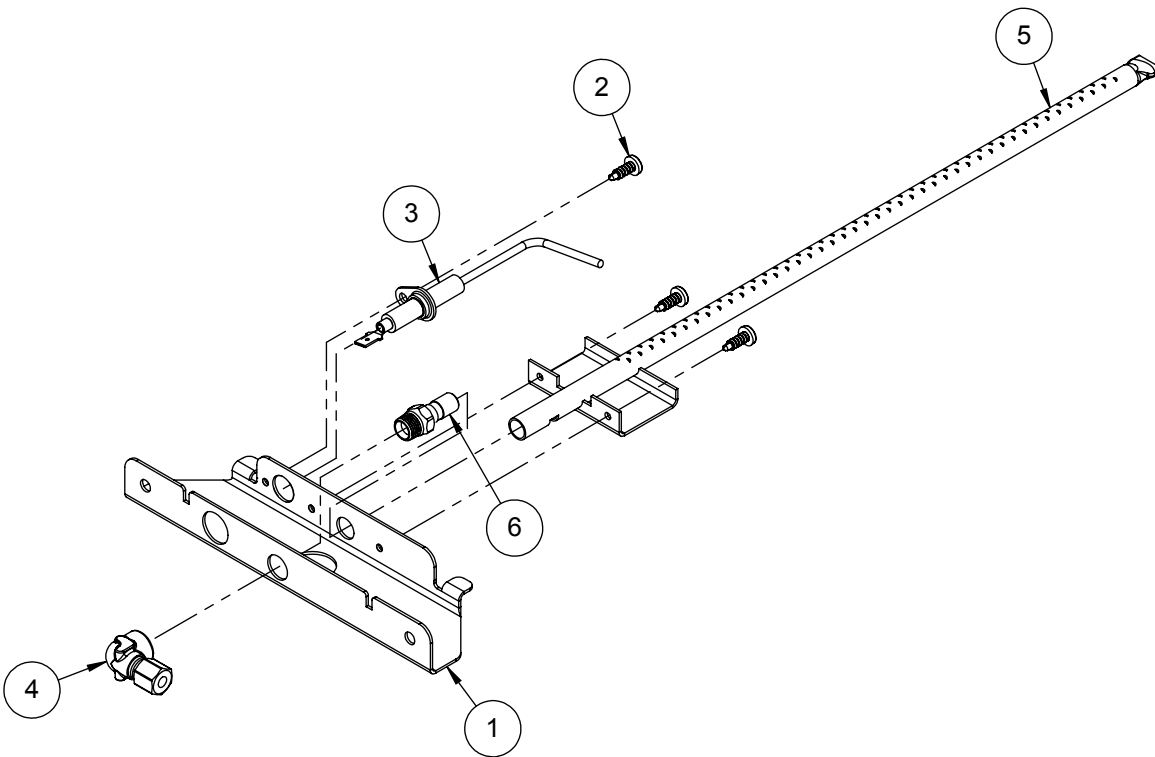
| ITEM | NG GAS PART # | LP GAS PART # |
|------|---------------|---------------|
| 19   | 290-0310      | 290-0311      |
| 20   | 220-0285      | 220-0286      |
| 21   | 220-0289      | 220-0290      |



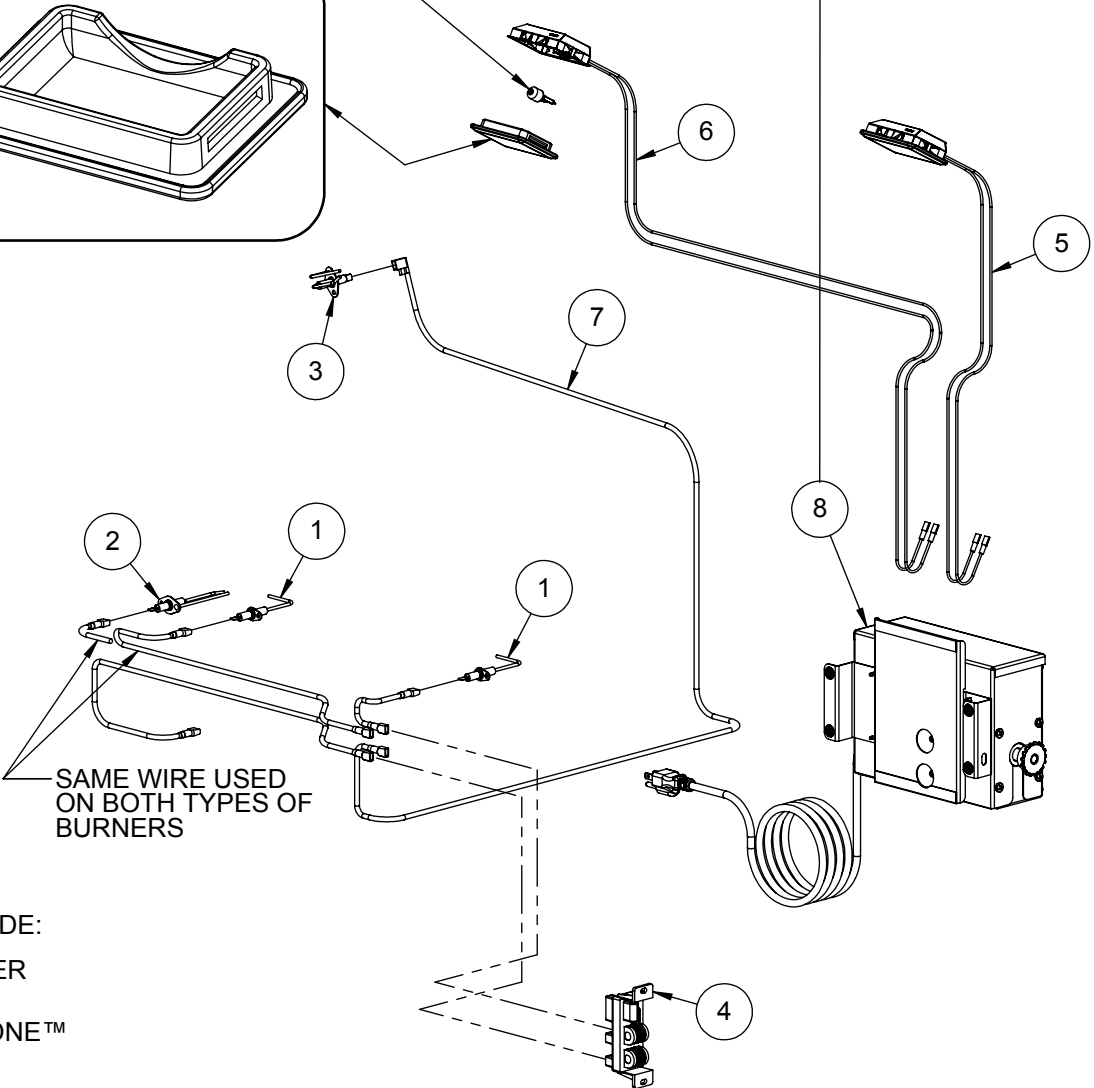
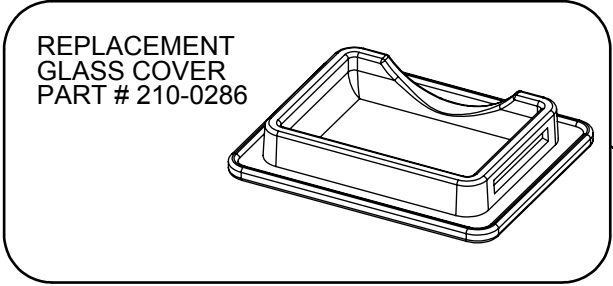
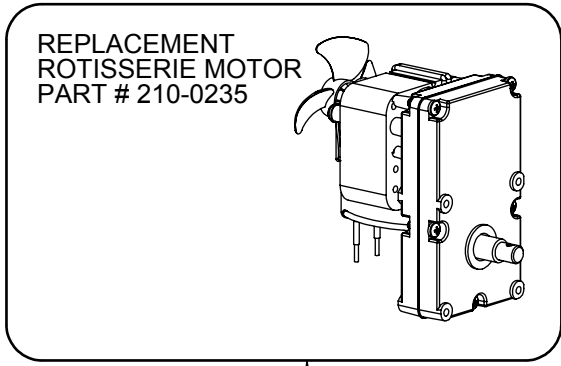
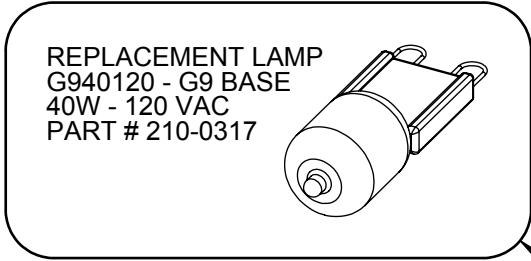
| ITEM | PART NUMBER | DESCRIPTION                          | QTY |
|------|-------------|--------------------------------------|-----|
| 1    | 130-3019    | MOUNTING BRACKET                     | 1   |
| 2    | 200-0111    | SCREW 8-18 X 1/2 - SELF TAP - 410 SS | 3   |
| 3    | 210-0189    | ELECTRODE - "L" SHAPED - MAIN BURNER | 1   |
| 4    | 220-0273    | ELBOW 90° - 1/8" FPT x 3/16" COMP    | 1   |
| 5    | 510-0504    | ALX2 - SMOKER BURNER ASSEMBLY        | 1   |
| 6    | SEE NOTE    | ORIFICE - SMOKER UNIT >>> SEE NOTE   | 1   |

**NOTE:** ORIFICE OR VALVE ASSEMBLY TO CHANGE ACCORDING TO FUEL SUPPLY: NATURAL GAS OR LIQUID PROPANE

| ITEM | NG GAS   | LP GAS   |
|------|----------|----------|
|      | PART #   | PART #   |
| 6    | 220-0313 | 220-0314 |



| ITEM | PART NUMBER | DESCRIPTION                                | QTY |
|------|-------------|--|-----|
| 1    | 210-0189    | ELECTRODE - "L" SHAPED - U-BURNER / SMOKER | 2   |
| 2    | 210-0192    | ELECTRODE - DUAL TIP - SEARZONE™           | 1   |
| 3    | 210-0240    | ELECTRODE - DUAL TIP "L" SHAPE- ROTISSERIE | 1   |
| 4    | 210-0465    | IGNITER MODULE (4 POINTS)                  | 1   |
| 5    | 210-0509    | LAMP ASSEMBLY (32" WIRE LENGTH)            | 1   |
| 6    | 210-0510    | LAMP ASSEMBLY (56" WIRE LENGTH)            | 1   |
| 7    | 210-0520    | ALX2-30 / 30SZ - IGNITER WIRE KIT          | 1   |
| 8    | 510-0514    | ALX2 - ROTISSERIE MOTOR BOX ASSEMBLY       | 1   |



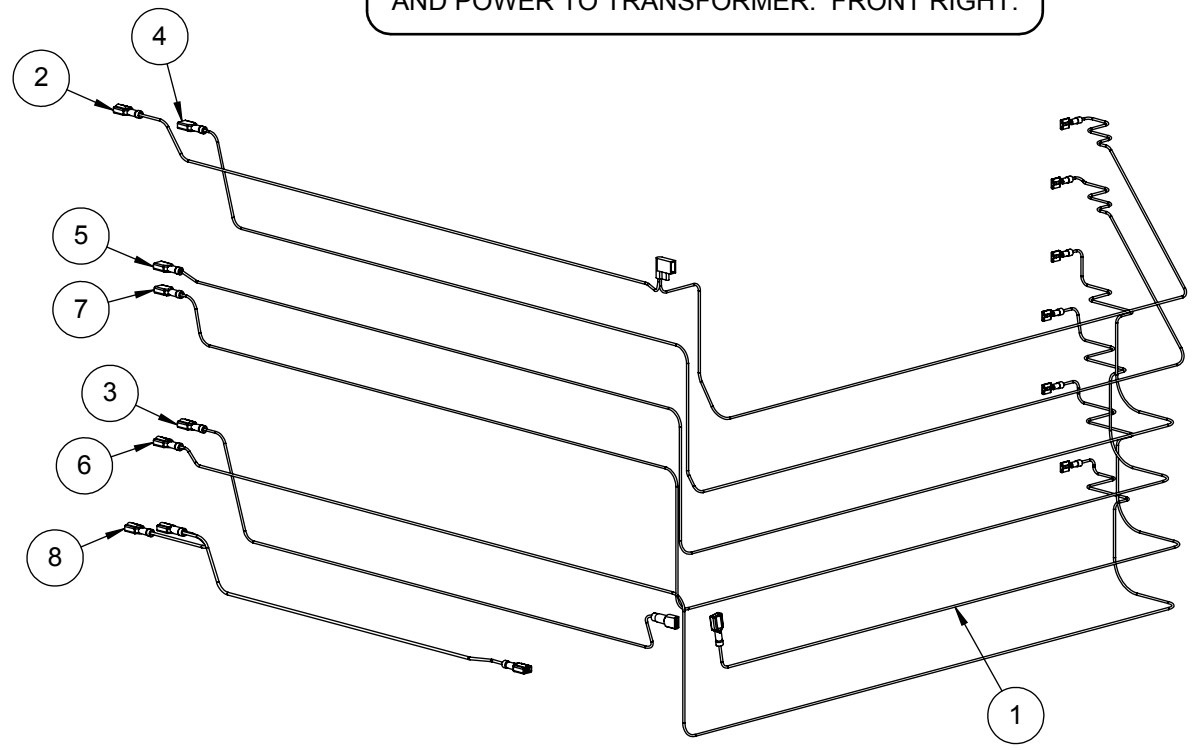
- LEFT BURNER ELECTRODE:
- 1 USED ON U-BURNER
  - 2 USED ON SEAR-ZONE™

| ITEM | PART NUMBER | DESCRIPTION        | QTY |
|------|-------------|--------------------|-----|
| 1    | 210-0590    | WIRE NUMBER 12     | 1   |
| 2    | 210-0591    | WIRE NUMBER 2      | 1   |
| 3    | 210-0592    | IGNITER POWER WIRE | 1   |
| 4    | 210-0593    | WIRE NUMBER 3      | 1   |
| 5    | 210-0594    | WIRE NUMBER 7      | 1   |
| 6    | 210-0595    | WIRE NUMBER 14     | 1   |
| 7    | 210-0596    | WIRE NUMBER 8      | 1   |
| 8    | 210-0597    | LIGHT POWER WIRE   | 1   |

CONNECTIONS: NEUTRAL TO TRANSFORMER, POWER TO TRANSFORMER AND IGNITER, LIGHTS & ROTISSERIE. FRONT LEFT

CONNECTIONS IN MOTOR BOX AT REAR RIGHT.

CONNECTIONS: IGNITER NEUTRAL & POWER, PERIMETER LIGHT SWITCH NEUTRAL & POWER, AND POWER TO TRANSFORMER. FRONT RIGHT.



# *Alfresco*<sup>™</sup>

*Open Air Culinary Systems*

***ALXE-30 PARTS MANUAL***

***ALFRESCO™ GOURMET GRILLS***

***ALL RIGHTS RESERVED 02/2016***