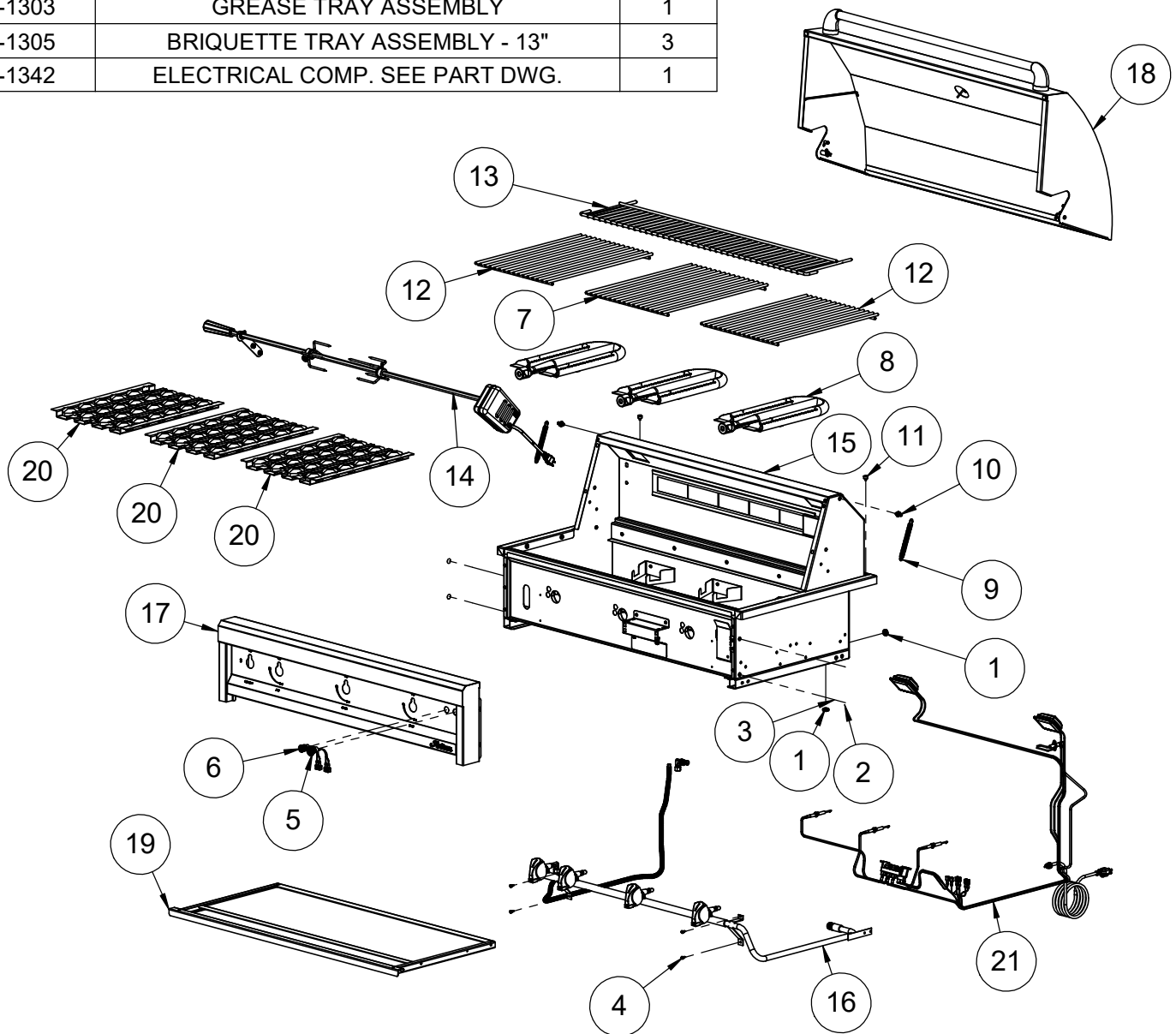


Artisan



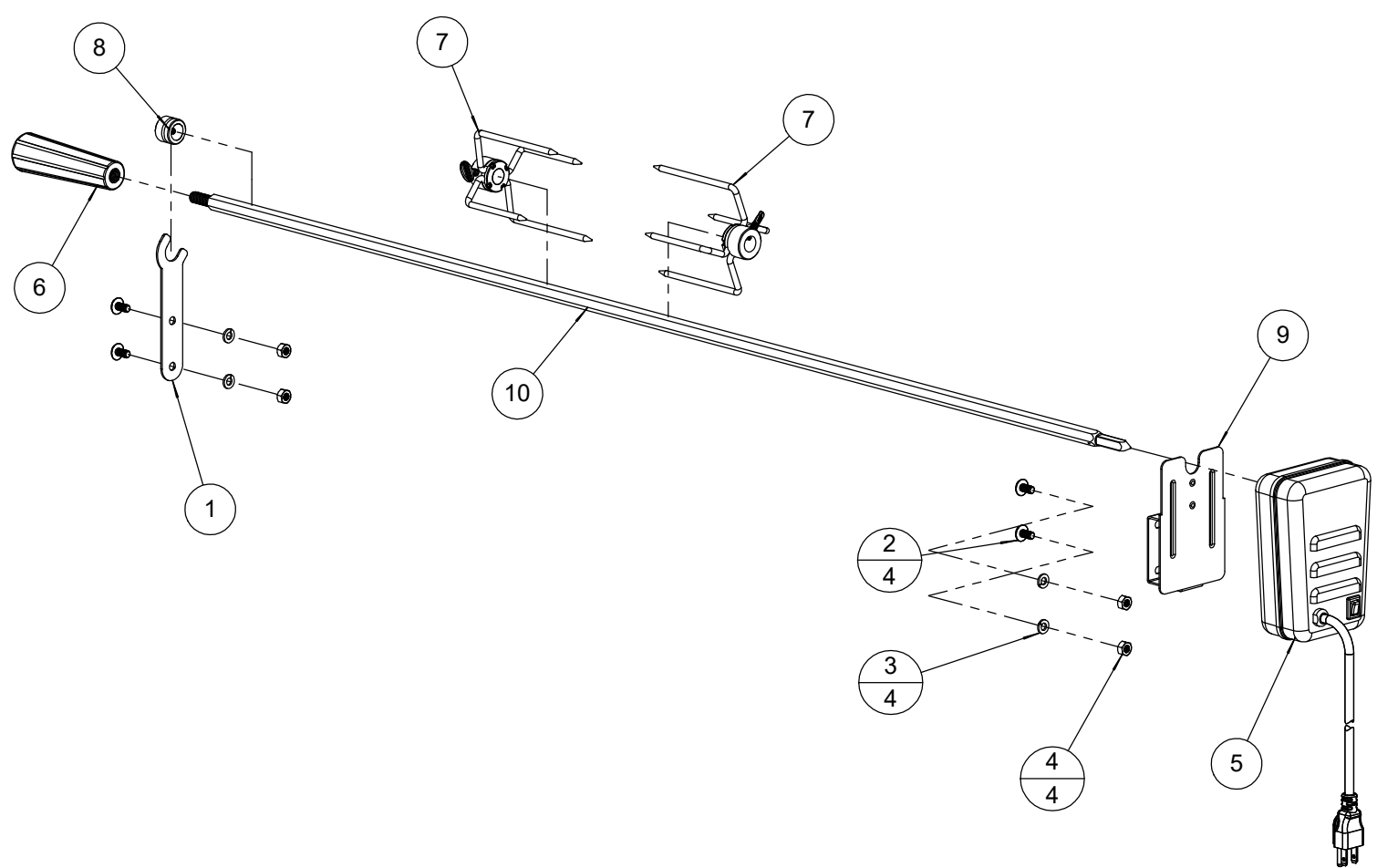
ARTP-42 Parts Manual
Serial Numbers 20-00000 forward

ITEM	MODEL	DESCRIPTION	QTY.
1	200-0004	GROMMET 9/16" OD, 1/16" MAT'L, 7/16" ID	2
2	200-0086	1/4-20 X 3/8 - TRUSS HEAD - PHILIPS SCREW	2
3	200-0087	WASHER - 1/4" SPRING LOCK- REGULAR - SS	2
4	200-0111	SCREW 8-18 X 1/2 - SELF TAP - 410 SS	4
5	210-0583	SWITCH - IGNITION - MOMENTARY [ON]/OFF	1
6	210-0584	SWITCH - LIGHT - LATCHING [ON/OFF]	1
7	290-0324	BBQ GRID - 13.8125" WIDE	1
8	290-0355	U-BURNER	3
9	290-0443	SPRING TEMPERED- .513 OD x 4.875 L	2
10	290-0447	HOOD SPRING LATCH	2
11	290-0469	BUMPER 1/2" Ø x 5/16" H - 600 °F	2
12	290-0501	BBQ GRID - 12.8125" WIDE	2
13	290-0504	WARMING GRID	1
14	510-1257	ROTISSERIE KIT	1
15	510-1280	MAIN BODY	1
16	510-1285	GAS MANIFOLD, SEE PARTS DRAWING	1
17	510-1286	FRONT PANEL	1
18	510-1289	FRONT HOOD WITH BUMPERS	1
19	510-1303	GREASE TRAY ASSEMBLY	1
20	510-1305	BRIQUETTE TRAY ASSEMBLY - 13"	3
21	510-1342	ELECTRICAL COMP. SEE PART DWG.	1

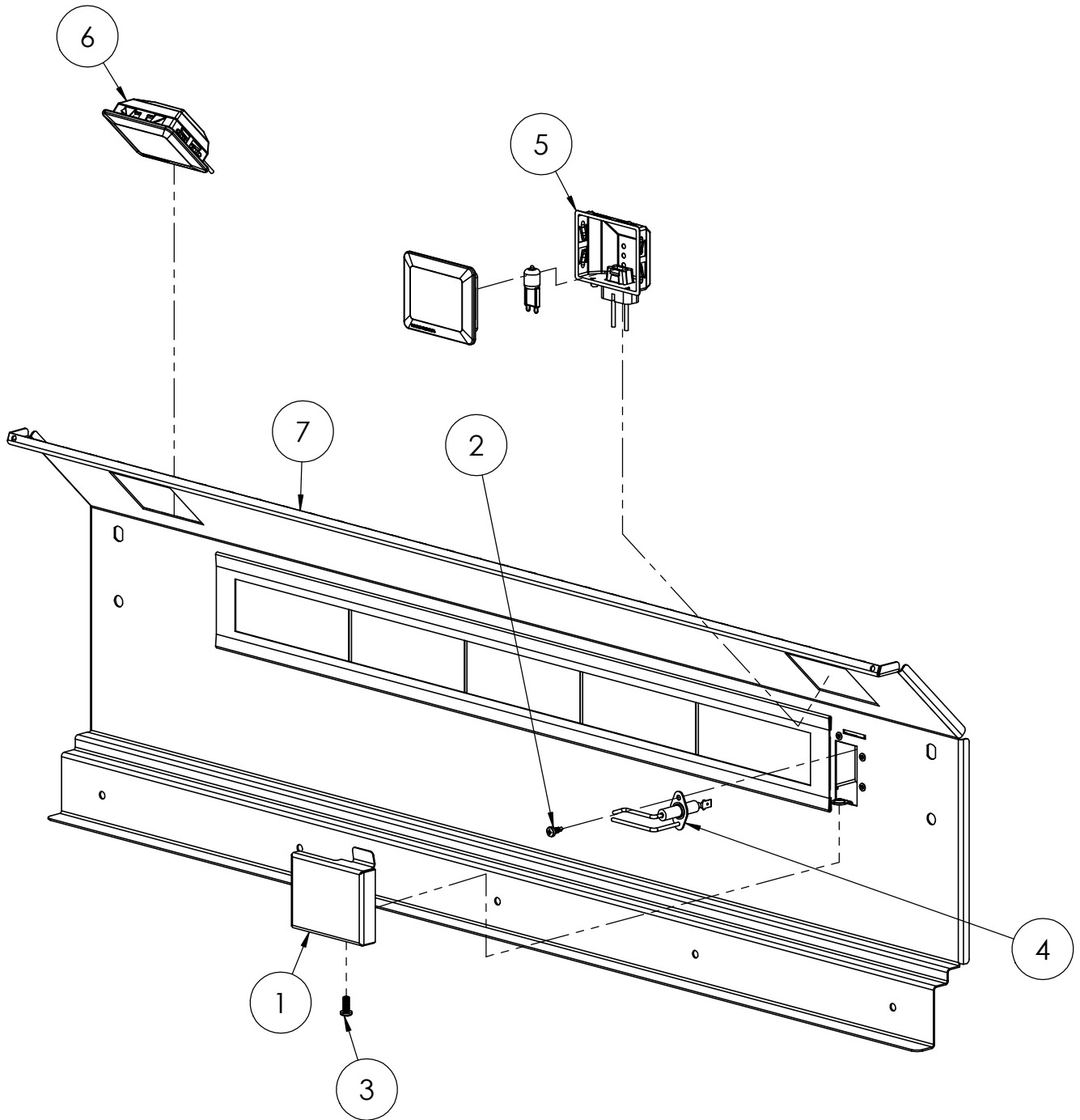


BILL OF MATERIALS

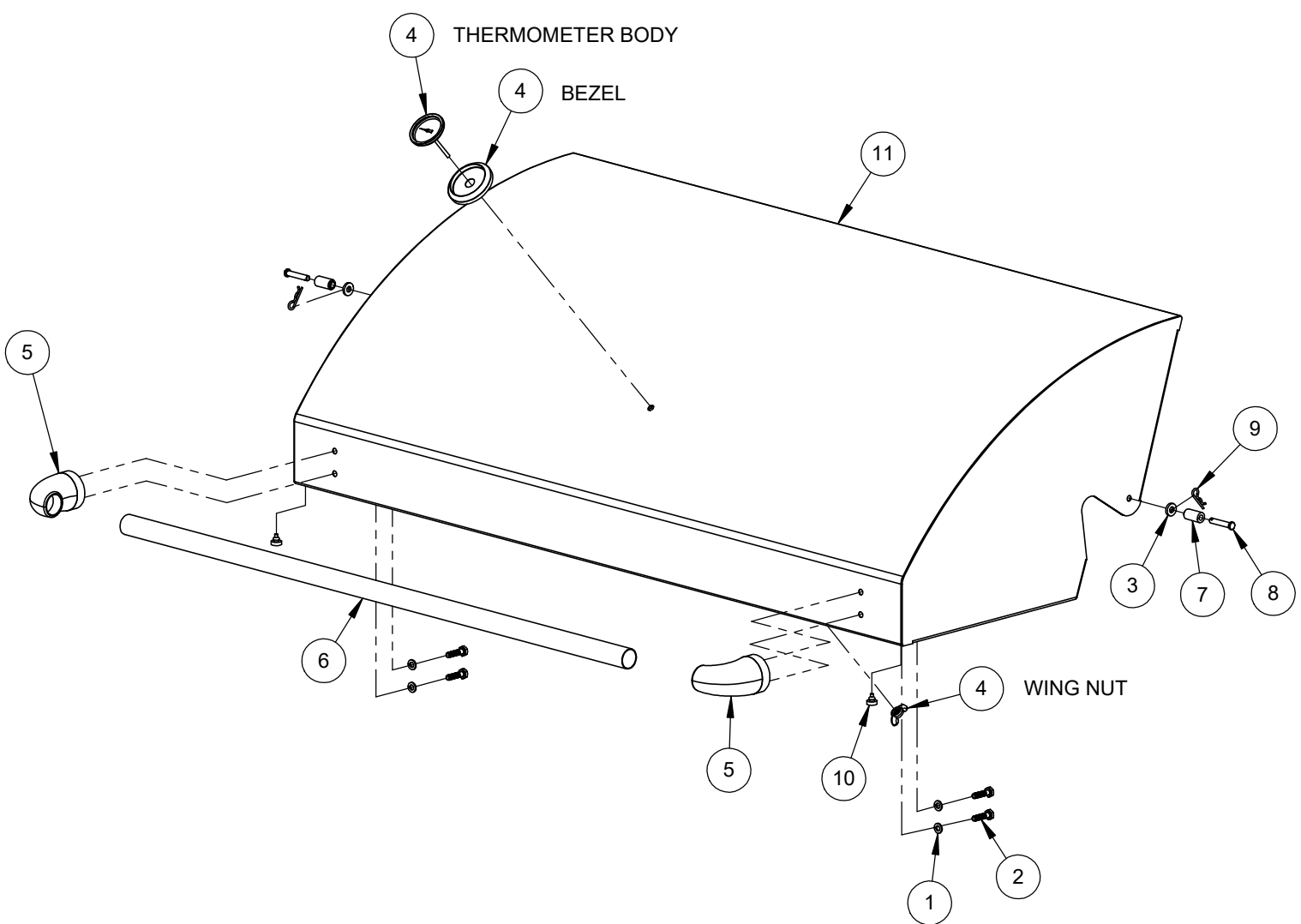
ITEM	PART N°	DESCRIPTION	QTY
1	100-2366	ROTISSERIE HOLDER BRACKET	1
2	200-0057	SCREW 1/4-20 X 1/2 - TRUSS HEAD - PHILPS	4
3	200-0087	WASHER - 1/4" SPRING LOCK- REGULAR - SS	4
4	200-0090	1/4-20 - DOUBLE CHAMFER - HEX NUT	4
5	210-0493	ROTISSERIE MOTOR	1
6	290-0330	ROTISSERIE SPEAR HANDLE	1
7	290-0331	ROTISSERIE FORK ASSEMBLY	2
8	290-0332	ROTISSERIRE BUSHING ASSEMBLY	1
9	290-0333	ROTISSERIE MOTOR MOUNT	1
10	290-0500	ROTISSERIE SPEAR 42" BBQ	1



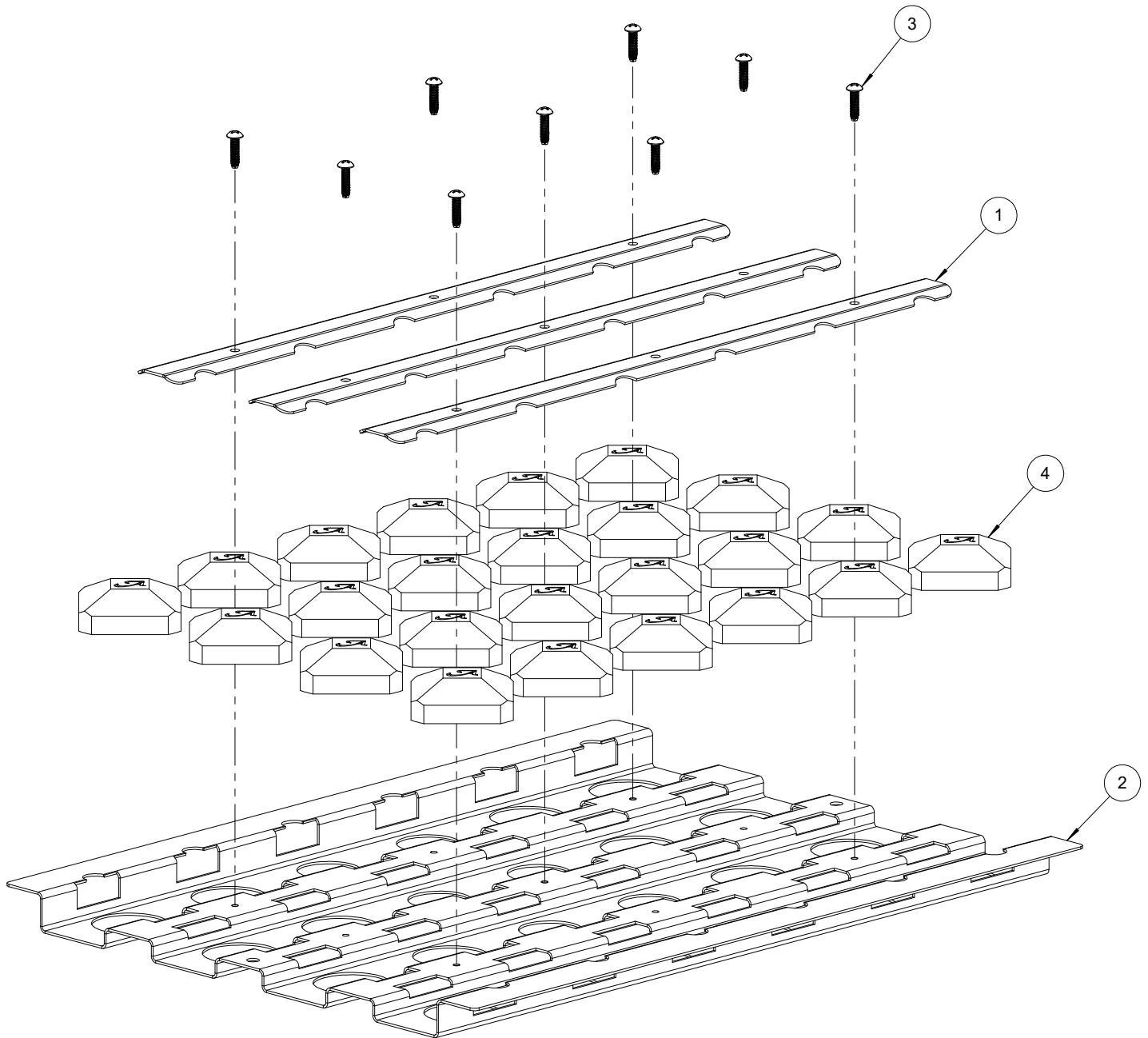
ITEM	PART NUMBER	DESCRIPTION	QTY
1	100-2363	ROTISSERIE ELECTRODE COVER	1
2	200-0111	SCREW 8-18 X 1/2 - SELF TAP - 410 SS	1
3	200-0267	10-32 X 1/2 - PAN HEAD - PHILLIPS SCREW	1
4	210-0240	ELECTRODE - DUAL TIP "L" SHAPE- ROTISSERIE	1
5	210-0488	LAMP FIXTURE ASSEMBLY - G9/120V/40W	1
6	210-0660	LAMP FIXTURE ASSEMBLY - G9/120V/40W	1
7	510-1301	ROTISSERIE PANEL - WELDED PARTS	1



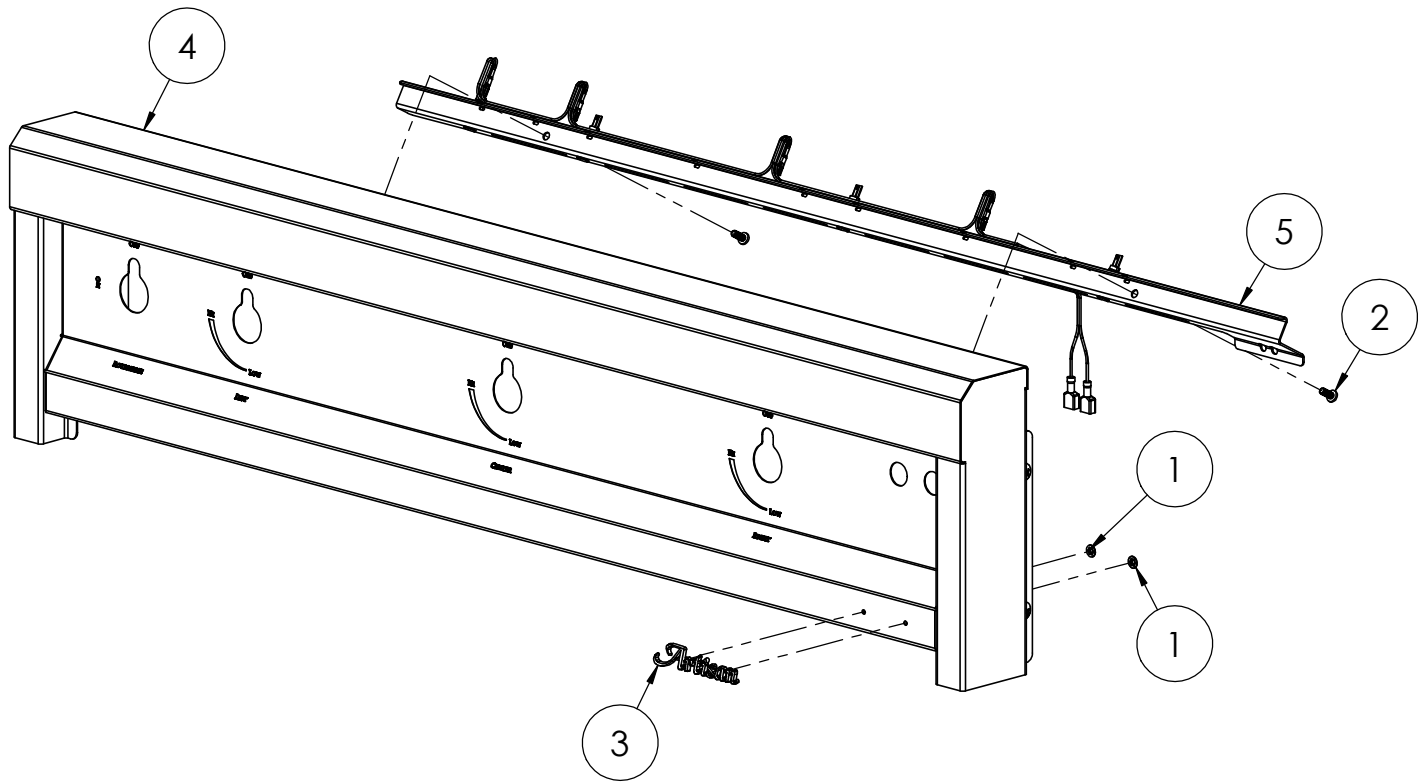
BILL OF MATERIAL			
NO.	PART #	DESCRIPTION	QTY
1	200-0087	WASHER - 1/4" SPRING LOCK- REGULAR - SS	4
2	200-0091	HH- HD - 1/4-20 x 1 x .75 THREAD	4
3	200-0092	1/4 X 1/8 X 5/8 FLAT WASHER - SPACER	2
4	210-0490	THERMOMETER ASSEMBLY	1
5	290-0063	HANDLE - END CAP ASSEMBLY	2
6	290-0510	42" BBQ - FRONT HOOD HANDLE BAR	1
7	290-0444	SPACER - 1/2" OD x 1/4" ID	2
8	290-0445	CLEVIS PIN - 1/4"Ø x 1-3/8	2
9	290-0448	COTTER PIN - HAIRPIN 1/4" ~ 3/8" Pin Ø x 1-1/4" L x 5/64" WIRE	2
10	290-0465	BUMPER 600°F 1/2" DIA x 5/32" HEAD	2
11	510-1290	FRONT HOOD - WELDED PARTS - W/BUMPER	1



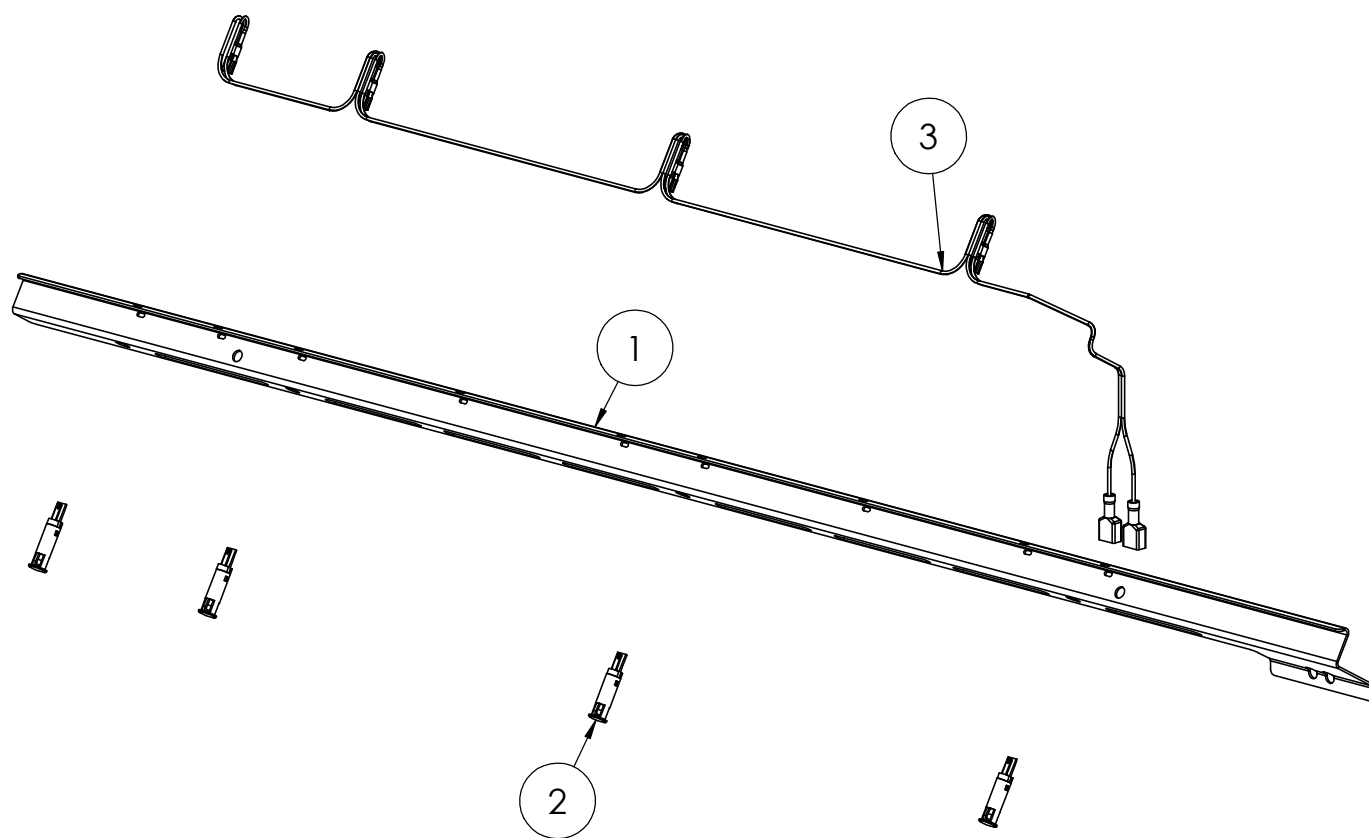
ITEM	MODEL	DESCRIPTION	QTY.
1	100-1895	BRIQUETTE LOCK BAR	3
2	100-3194	BRIQUETTE TRAY BASE - 13" WIDE	1
3	200-0314	SCREW 8-32 x 5/8", PAN HEAD, PHILLIPS THREAD CUTTER TYPE F	9
4	265-0005	CERAMIC BRIQUETTE W/ LOGO	24



ITEM	PART NUMBER	DESCRIPTION	QTY
1	200-0093	WASHER - PUSH LOCK 1/8" ID X 3/8" OD (LOGO)	2
2	200-0267	10-32 X 1/2 - PAN HEAD - PHILLIPS SCREW	2
3	290-0356	ARTISAN LOGO	1
4	510-1287	FRONT PANEL - WELDED PARTS	1
5	510-1302	FRONT PANEL - LIGHT ASSEMBLY	1

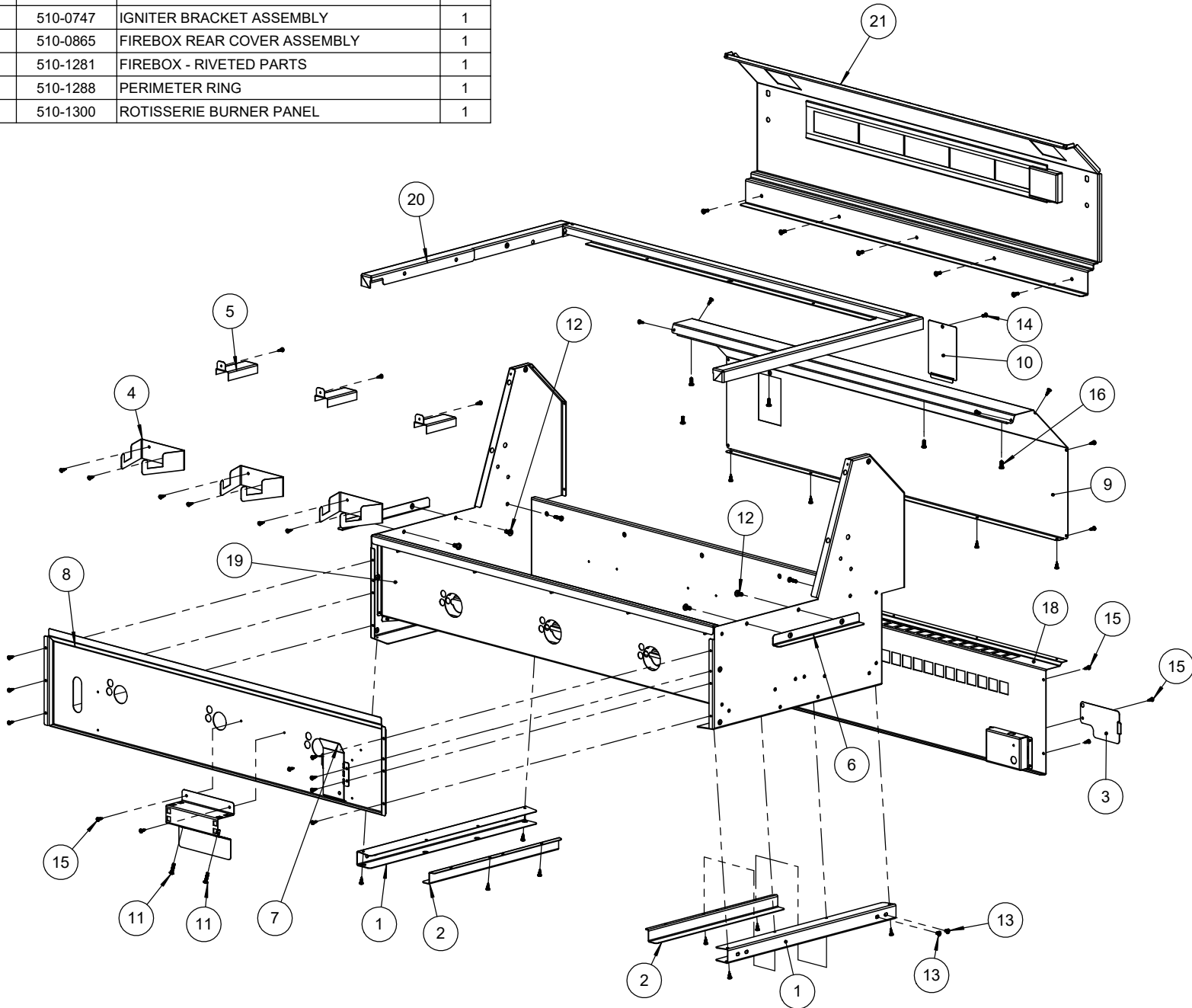


ITEM	PART NUMBER	DESCRIPTION	QTY
1	100-3177	FRONT PANEL LIGHT BRACKET	1
2	210-0624	LIGHT - BLUE LED - 8mm Ø - 110 VAC	4
3	210-0629	FRONT PANEL - LIGHT ASSEMBLY	1



BILL OF MATERIAL

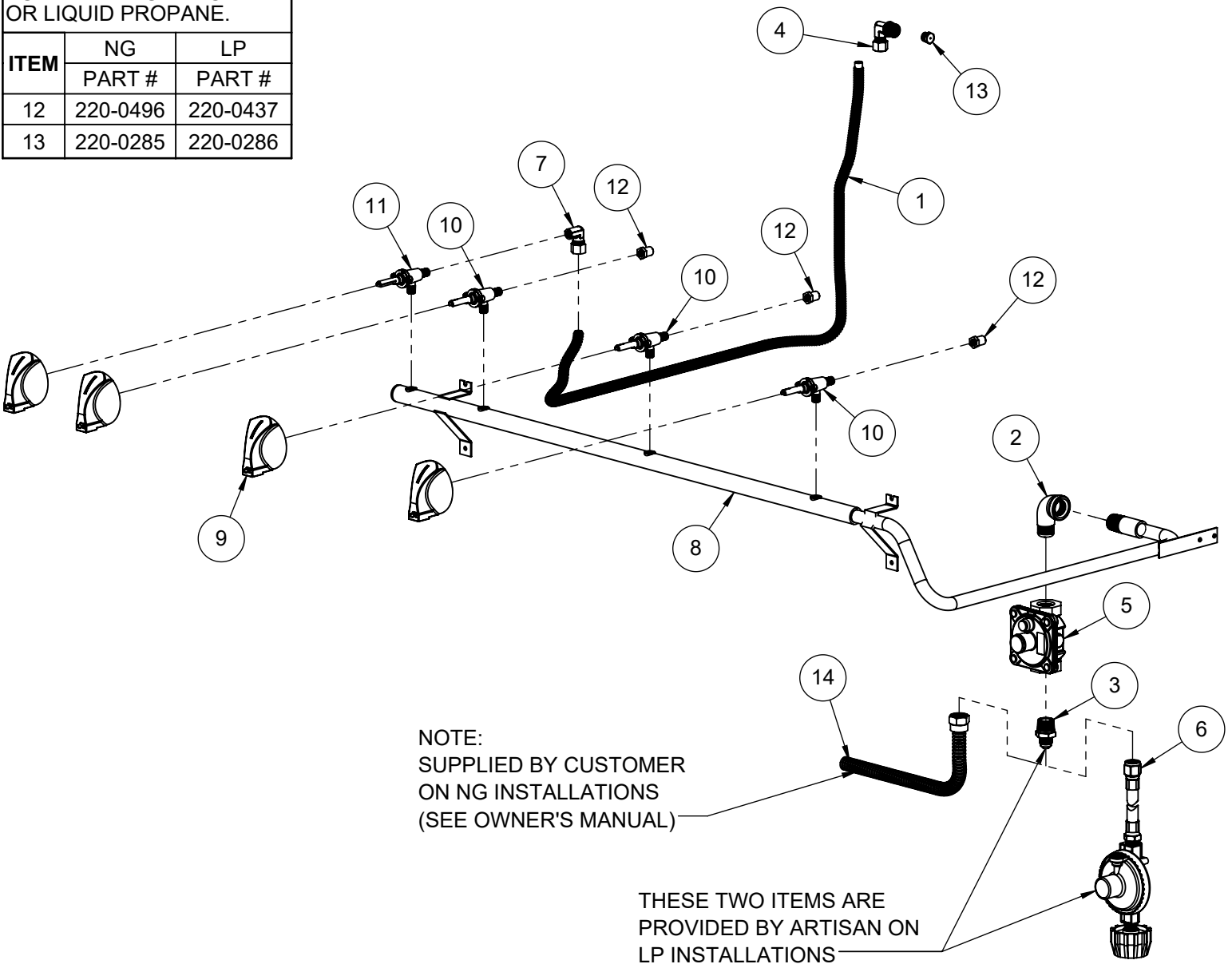
NO.	PART #	DESCRIPTION	QTY
1	100-2024	FIREBOX TRAY SLIDE PART-A	2
2	100-2025	FIREBOX TRAY SLIDE PART-B	2
3	100-2370	ELECTRICAL BOX COVER	1
4	100-2373	BURNER BRACKET	3
5	100-2374	IGNITER COVER - STANDARD	3
6	100-2378	PERIMETER RING BRACKET	2
7	100-2666	BUTTONS SHIELD - BRACKET	1
8	100-3167	FIREWALL	1
9	100-3173	BACK HOOD - REAR COVER	1
10	150-2335	IR ORIFICE ACCESS COVER	1
11	200-0057	SCREW 1/4-20 X 1/2 - TRUSS HEAD PHILLIPS	6
12	200-0064	1/4-20 X 1/2 - PAN HEAD - PHILIPS SCREW	4
13	200-0082	10-32 X 1/4 - PAN HEAD - PHILIPS SCREW	2
14	200-0100	SCREW 8-32 X 3/8" - PAN HEAD - PHILIPS - SS	1
15	200-0111	SCREW 8-18 X 1/2 - SELF TAP - 410 SS	48
16	200-0267	10-32 X 1/2 - PAN HEAD - PHILLIPS SCREW	10
17	510-0747	IGNITER BRACKET ASSEMBLY	1
18	510-0865	FIREBOX REAR COVER ASSEMBLY	1
19	510-1281	FIREBOX - RIVETED PARTS	1
20	510-1288	PERIMETER RING	1
21	510-1300	ROTISSERIE BURNER PANEL	1



ITEM	PART NUMBER	DESCRIPTION	QTY
1	100-1949	ROTISSERIE LINE - 36" L x 3/8" ID	1
2	200-0274	ELBOW 90° - CAST IRON - 1/2" FPT x 1/2" MPT	1
3	220-0275	NIPPLE - 1/2" MPT X 3/8" OD FL	1
4	220-0276	ELBOW .375 MPT x .375 COMP	1
5	220-0280	REGULATOR GAS - MAXITROL RV48CL440002	1
6	220-0301	REGULATOR - LP GAS W/36" HOSE - CONN. GREEN	1
7	220-0399	ELBOW 1/8-27 FPT x 3/8" Ø COMPRESSION	1
8	220-0495	GAS MANIFOLD	1
9	290-0030	KNOB BBQ - ALFRESCO "A" LETTER	4
10	290-0320	GAS VALVE - 1/8-27 MPT X 1/8-27 NPTS	3
11	290-0321	VALVE - GAS - [ON/OFF] FLOW - 1/8-27 MPT X 1/8-27 NPTS	1
12	SEE NOTE	ORIFICE - MAIN BURNER - (SEE NOTE FOR SIZING)	3
13	SEE NOTE	ORIFICE - IR ROTISSERIE UNIT (SEE NOTE FOR SIZING)	1
14	SEE NOTE	1/2" ODF - FLEX SS GAS LINE (BY CUSTOMER)	1

NOTE: ORIFICE OR VALVE ASSEMBLY TO CHANGE ACCORDING TO FUEL SUPPLY: NATURAL GAS OR LIQUID PROPANE.

ITEM	NG	LP
	PART #	PART #
12	220-0496	220-0437
13	220-0285	220-0286



ITEM	MODEL	DESCRIPTION	QTY.
1	200-0009	HEYCO STRESS RELIEF BUSHING # 1200 SR 6N3-4	1
2	210-0240	ELECTRODE - DUAL TIP "L" SHAPE- ROTISSERIE	1
3	210-0287	BLACK POWER SUPPLY CORD 125V 15A 14/3 X 8FT LONG	1
4	210-0465	IGNITER MODULE (4 POINTS)	1
5	210-0488	LAMP FIXTURE ASSEMBLY - G9/120V/40W	1
6	210-0491	U-BURNER ELECTRODE TIP	3
7	210-0660	LAMP FIXTURE ASSEMBLY - G9/120V/40W	1
8	210-0541	IGNITER WIRE KIT	1
9	210-0640	HARNESS	1

