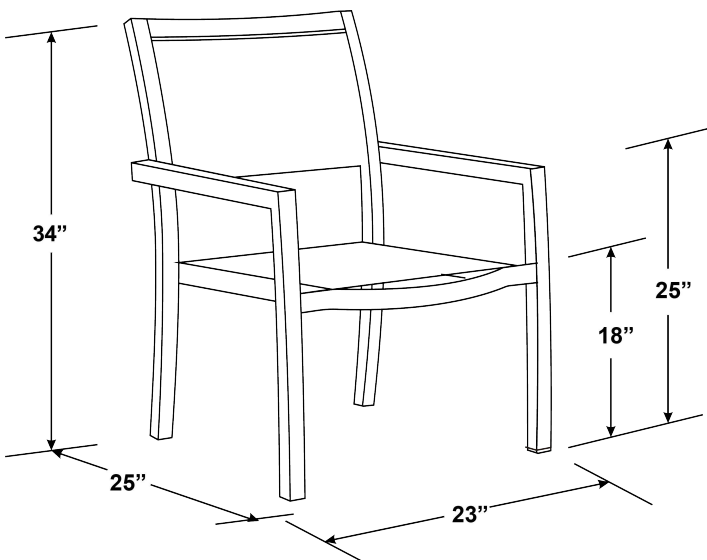


## NAPLES DINING CHAIR

SKU 1101-1



### SPECS

Width: 23"  
Depth: 25"  
Height: 34"  
Arm Height: 25"  
Seat Height: 18"  
Weight: 11 lbs

- Fully welded, scratch-resistant powder-coated aluminum frame in satin Frost Finish.
- Weather resistant, tear-resistant textilene.
- Non-marking plastic glides.
- Stackable.
- Commercial Quality Construction.